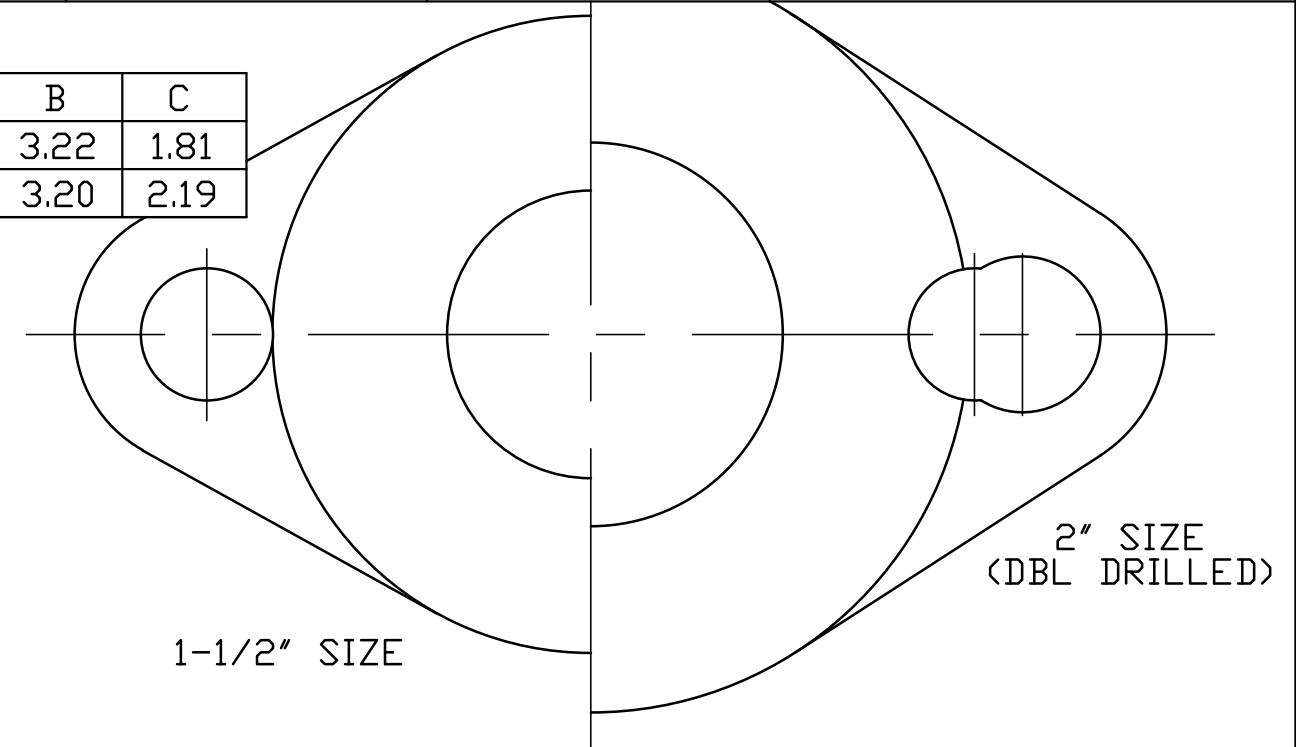


No.	DESCRIPTION	MATERIAL DESCRIPTION
1	BODY	CAST LOW LEAD BRASS ALLOY
2	O-RING	EP ASTM D2000
3	KEY	CAST LOW LEAD BRASS ALLOY
4	GROOVE PIN	ASTM B124 ALLOY 655 SILICON BRONZE
5	CAP	CAST BRASS ASTM B62 ALLOY C83600
6	PJ GSKT	BUNA-N ASTM D2000
7	PJ WASHER	POLYPROPYLENE
8	CLPG NUT	CAST BRASS ASTM B62 ALLOY C83600

VALVE SIZE	A'	B	C
1-1/2"	6.00	3.22	1.81
2"	6.27	3.20	2.19



ALL WETTED PARTS ARE LOW LEAD BRASS ALLOY

FILEPATH: PROD-ENG\JJ\SUBMITTALS\E4205

DRFTR	JGarvin	7/20/10	<b>JONES</b>		
CHKR					
ENGR					
MGR					
UNLESS OTHERWISE NOTED			THIRD ANGLE PROJECTION		
SURFACE PREPARATION:					
BREAK CORNER(S) ---- .000					
SURFACE FINISH -- XX RMS			REF. No.	SCALE	
TOLERANCE(S):					
LINEAR ----- ± .000					
ANGULAR ----- ± 0°00'					
BY DATE					
STK No:					
MAT'L:					
DESCR.			DWG NUMBER		
GROUND KEY LLB ANGLE METER VALVE			E4205		
(PJ CTS x MTR FLANGE)					
REV	ECR	DESCRIPTION	DATE	BY	CHKR

DWG NUMBER  
E4205  
JJ-MRKTNG

TITLE TO AND OWNERSHIP OF THIS ENGINEERING DATA REMAINS IN Mueller Co. NO USE IS TO BE MADE OF THIS DATA EXCEPT AS SPECIFICALLY AUTHORIZED BY Mueller Co. ASSENT ON THE PART OF THE RECIPIENT TO THESE CONDITIONS IS PRESUMED