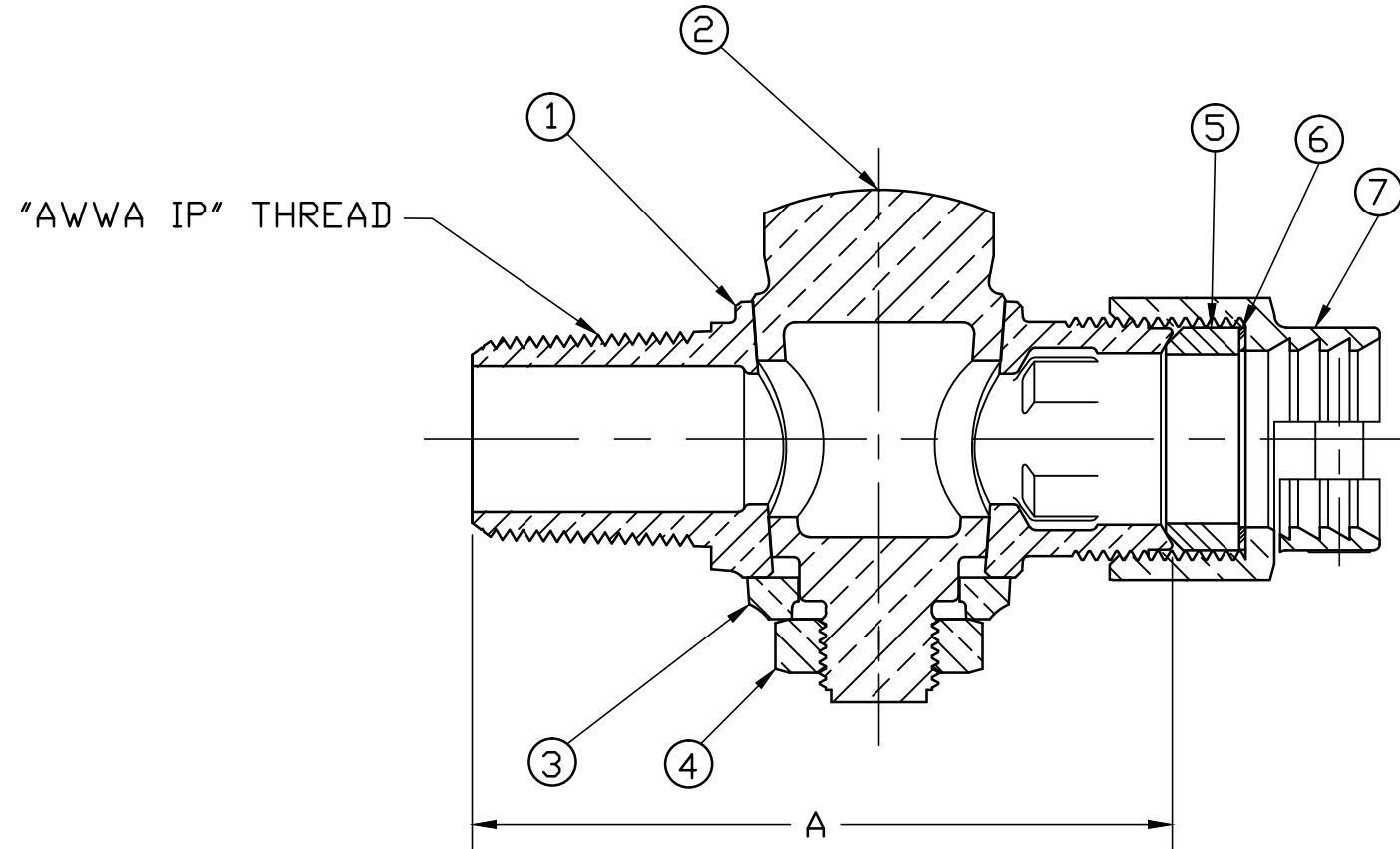


No.	DESCRIPTION	MATERIAL
1	BODY	CAST LOW LEAD BRASS VALVE
2	KEY	CAST LOW LEAD BRASS VALVE
3	KEY WASHER	CAST BRASS ASTM B62 ALLOY C83600
4	KEY NUT	CAST BRASS ASTM B62 ALLOY C83600
5	PJ CTS GSKT	BUNA N ASTM D2000
6	PJ WASHER	POLYPROPYLENE
7	CLPG NUT SUB	CAST BRASS ASTM B62 ALLOY C83600



VALVE SIZE	A
3/4"	3-21/32"
3/4x1"	4-3/16"
1"	4-5/16"

ALL WETTED PARTS ARE LOW LEAD BRASS ALLOY

FILEPATH: PROD-ENG\JJ\SUBMITTALS\E3403

DWG NUMBER
E3403
JJ-MRKTG

TITLE TO AND OWNERSHIP OF THIS ENGINEERING DATA REMAINS IN Mueller Co. NO USE IS TO BE MADE OF THIS DATA EXCEPT AS SPECIFICALLY AUTHORIZED BY Mueller Co. ASSENT ON THE PART OF THE RECIPIENT TO THESE CONDITIONS IS PRESUMED

						DRFTR	RWB	2/5/10	JONES	THIRD ANGLE PROJECTION
						CHKR				
						ENGR				
						MGR				
									UNLESS OTHERWISE NOTED	REF. No.
									SURFACE PREPARATION: BREAK CORNER(S) ---- .000 SURFACE FINISH -- XX RMS	
								BY	DATE	
									STK No:	
									MAT'L:	
									DESCR.	
									GROUND KEY LLB CORPORATION VALVE (MIP x PJ CTS)	DWG NUMBER E3403
REV	ECR	DESCRIPTION	DATE	BY	CHKR					