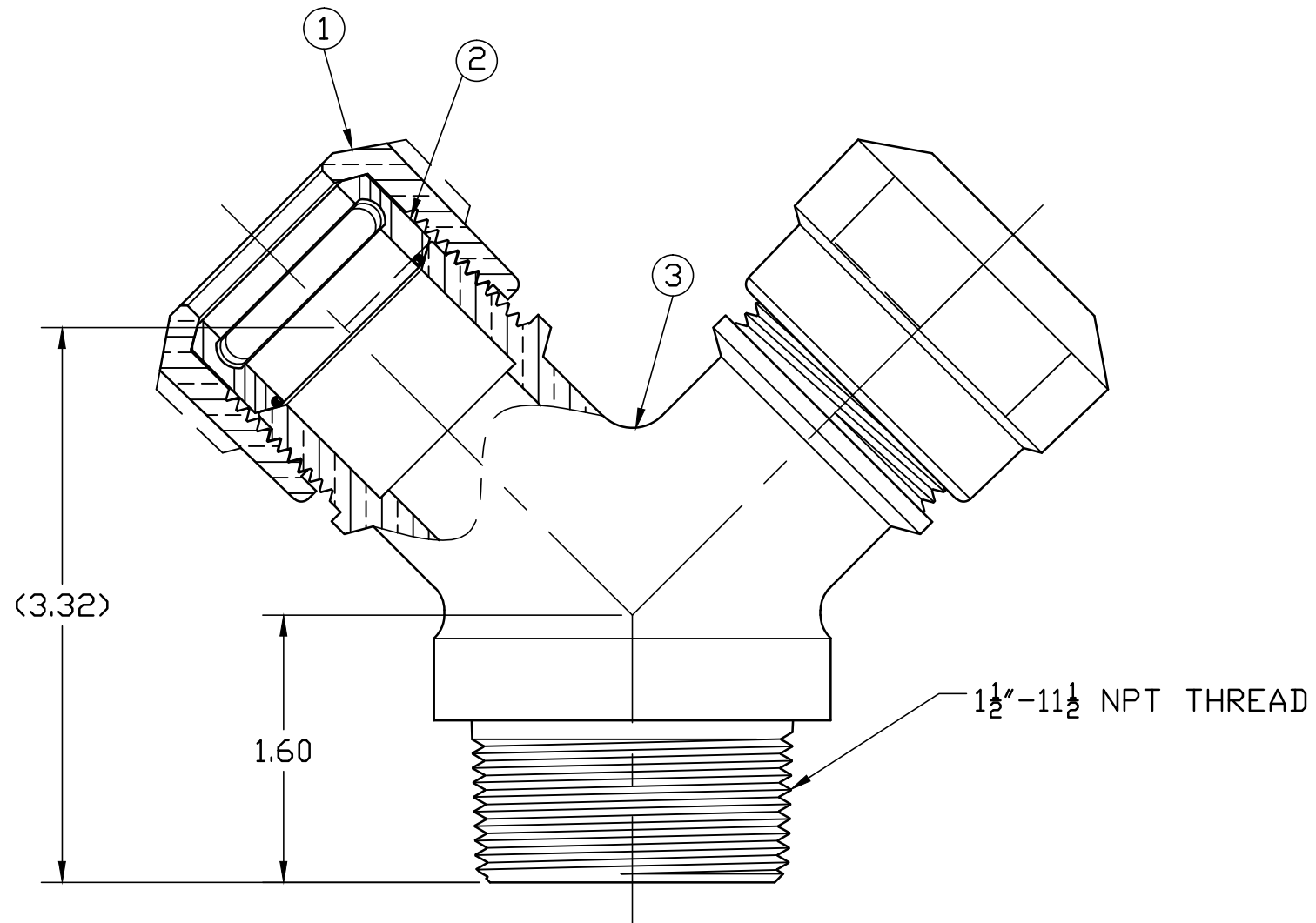


No.	DESCRIPTION	REQ'D	MATERIAL
1	CONN NUT	2	CAST BRASS ASTM B62 ALLOY C83600
2	CTS GSKT ASSY	2	D2000 SBR RUBBER
3	BRANCH CONNECTION	1	CAST LOW LEAD BRASS ALLOY



ALL WETTED PARTS ARE LOW LEAD BRASS ALLOY

FILEPATH: PROD-ENG\JAMESJANES\APPROVED\E2630SG

						DRFTR	RWB	4/25/16	JONES		
						CHKR					THIRD ANGLE PROJECTION
						ENGR					
						MGR					REF. No.
							BY	DATE			
						STK No:					
						MAT'L:					
						DESCR. 1" x 1-1/2" LLB "Y" BRANCH CONNECTION SG x MIP OUTLET SHORT BODY					
						DWG NUMBER E2630SG					
						PER IL NO: 01-0328 EST FIN WT = 0.0000 lbs					

DWG NUMBER
E2630SG

TITLE TO AND OWNERSHIP OF THIS ENGINEERING DATA REMAINS IN Mueller Co. NO USE IS TO BE MADE OF THIS DATA EXCEPT AS SPECIFICALLY AUTHORIZED BY Mueller Co. ASSENT ON THE PART OF THE RECIPIENT TO THESE CONDITIONS IS PRESUMED