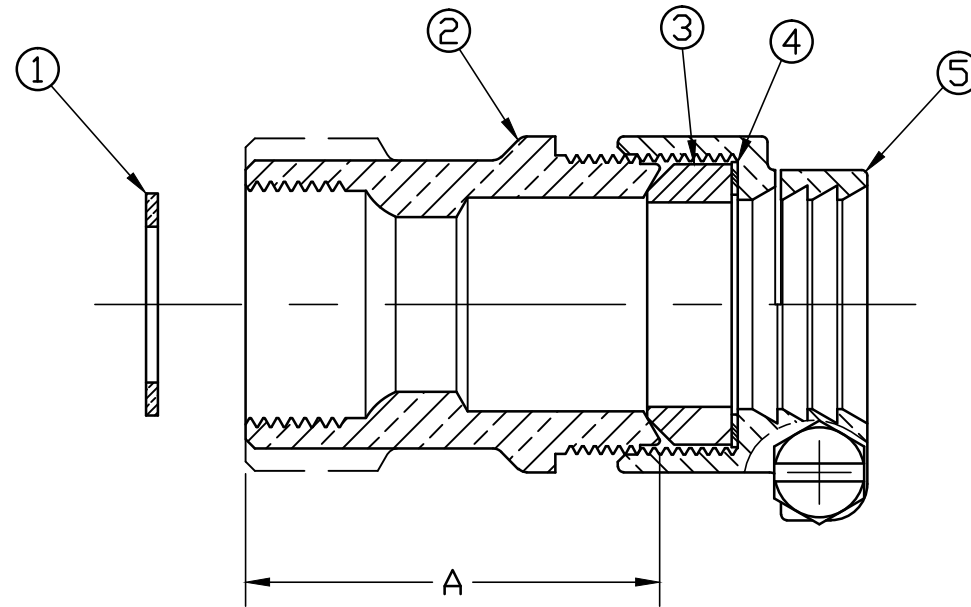


No.	DESCRIPTION	MATERIAL
1	COPPER GASKET	SHEET COPPER ASTM B152 C11000
2	SPUD	CAST LOW LEAD BRASS ALLOY
3	COMP GASKET	BUNA N ASTM D2000
4	WASHER	POLYPROPYLENE
5	CLPG NUT SUB	CAST BRASS ASTM B62 ALLOY C83600



SIZE	A
3/4"	2.156

ALL WETTED PARTS ARE LOW LEAD BRASS ALLOY

FILEPATH: PROD-ENG\JAMESJONES\ASTSUBMITTALS\E2624

						DRFTR	RWB	4/26/16	JONES		
						CHKR					
						ENGR					
						MGR					
									UNLESS OTHERWISE NOTED	THIRD ANGLE PROJECTION	
									SURFACE PREPARATION:		
									BREAK CORNER(S) ---- .000		
									SURFACE FINISH -- XX RMS	REF. No.	SCALE
									TOLERANCE(S):		NONE
									LINEAR ----- ± .000		
									ANGULAR ----- ± 0°00'		
								STK No:			
								MAT'L:			
								DESCR.	LLB CORP STOP COUPLING		DWG NUMBER
									(IS CS x PEP/PVC IPS PJ)		E2624
REV	ECR	DESCRIPTION	DATE	BY	CHKR						
PER EST NO: DXXXX EST FIN WT = 0.0000 lbs											

TITLE TO AND OWNERSHIP OF THIS ENGINEERING DATA REMAINS IN Mueller Co. NO USE IS TO BE MADE OF THIS DATA EXCEPT AS SPECIFICALLY AUTHORIZED BY Mueller Co. ASSENT ON THE PART OF THE RECIPIENT TO THESE CONDITIONS IS PRESUMED

DWG NUMBER
E2624
JJ-MRKTG