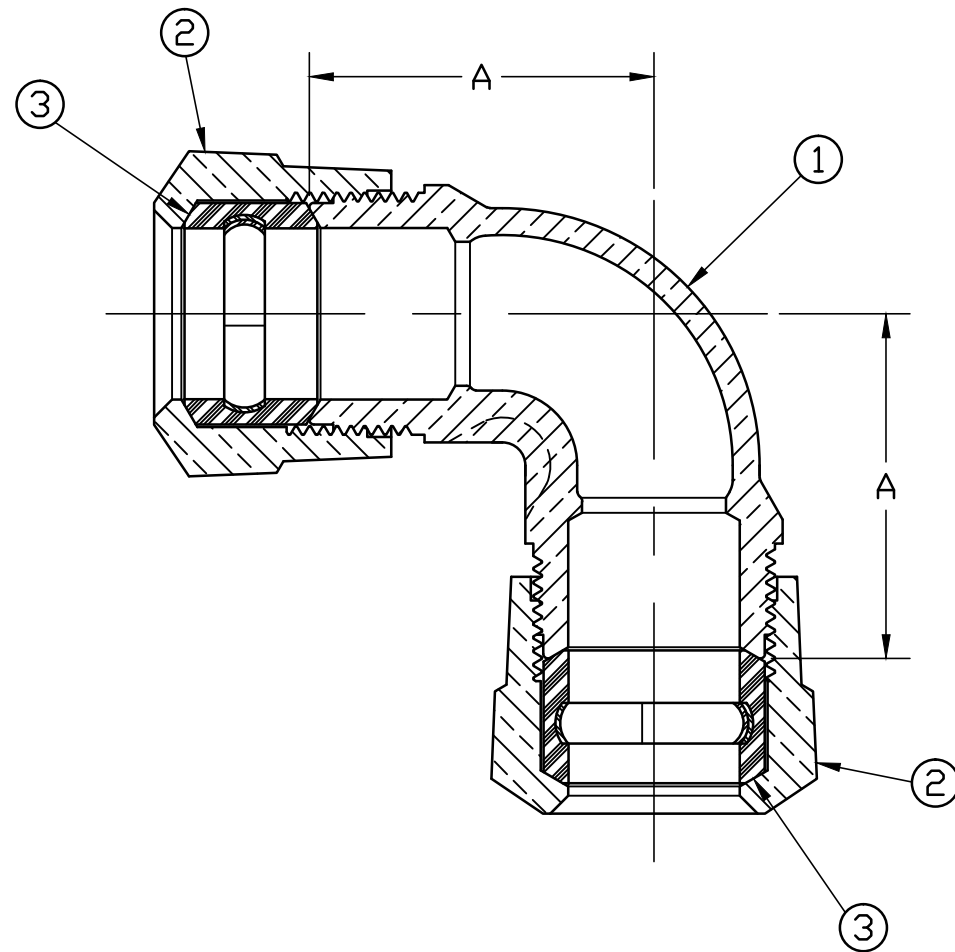


No.	DESCRIPTION	MATERIAL
1	SPUD	CAST LOW LEAD BRASS ALLOY
2	CONN. NUT	CAST BRASS ASTM B62 ALLOY C83600
3	CTS GSKT SUB	SBR ASTM D2000 - GSKT 410ss - BAND



SIZE	A
3/4	1-51/64"
1	2"
1-1/2	2-3/4"
2	3-3/32"

ALL WETTED PARTS ARE LOW LEAD BRASS ALLOY

FILEPATH: PROD-ENG\JJ\SUBMITTALS\E2611SG

						DRFTR	RWB	2/5/10	JONES			
						CHKR					UNLESS OTHERWISE NOTED	THIRD ANGLE PROJECTION
						ENGR					SURFACE PREPARATION:	
						MGR					BREAK CORNER(S) ---- .000	
									TOLERANCE(S):			
									LINEAR ----- ± .000			
									ANGULAR ----- ± 0°00'			
									STK No:			
									MAT'L:			
									DESCR.			
									QUARTER BEND UNION LLB SERVICE FITTING		DWG NUMBER	
									(110 CTS × 110 CTS)		E2611SG	

TITLE TO AND OWNERSHIP OF THIS ENGINEERING DATA REMAINS IN Mueller Co. NO USE IS TO BE MADE OF THIS DATA EXCEPT AS SPECIFICALLY AUTHORIZED BY Mueller Co. ASSENT ON THE PART OF THE RECIPIENT TO THESE CONDITIONS IS PRESUMED

DWG NUMBER
E2611SG
JJ-MRKTG

REV	ECR	DESCRIPTION	DATE	BY	CHKR