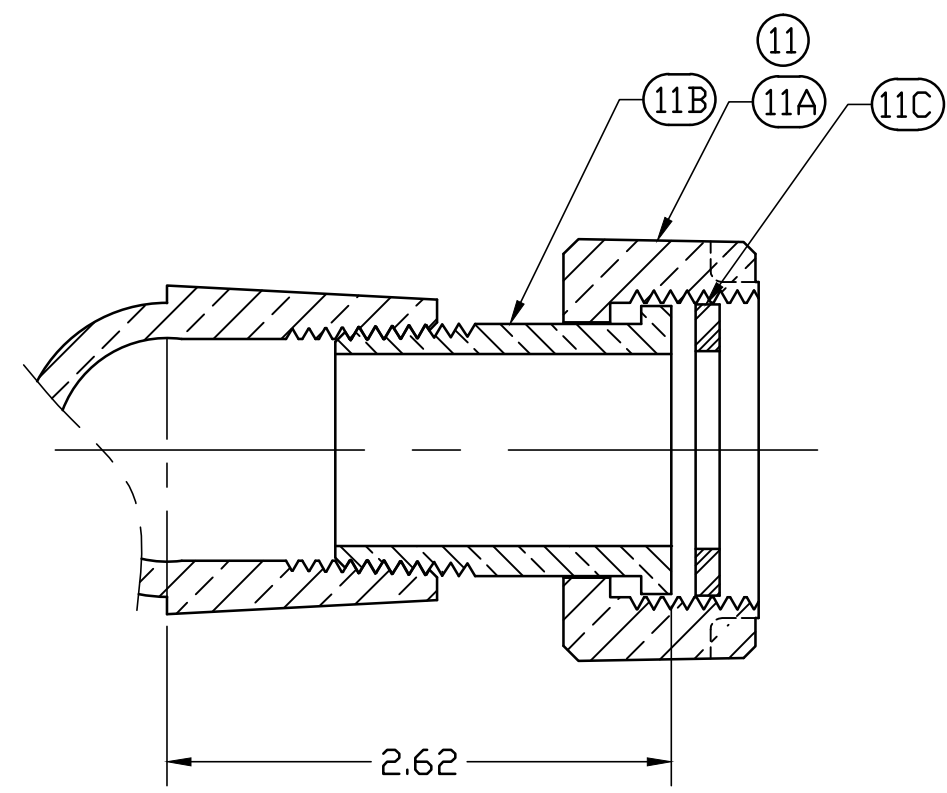
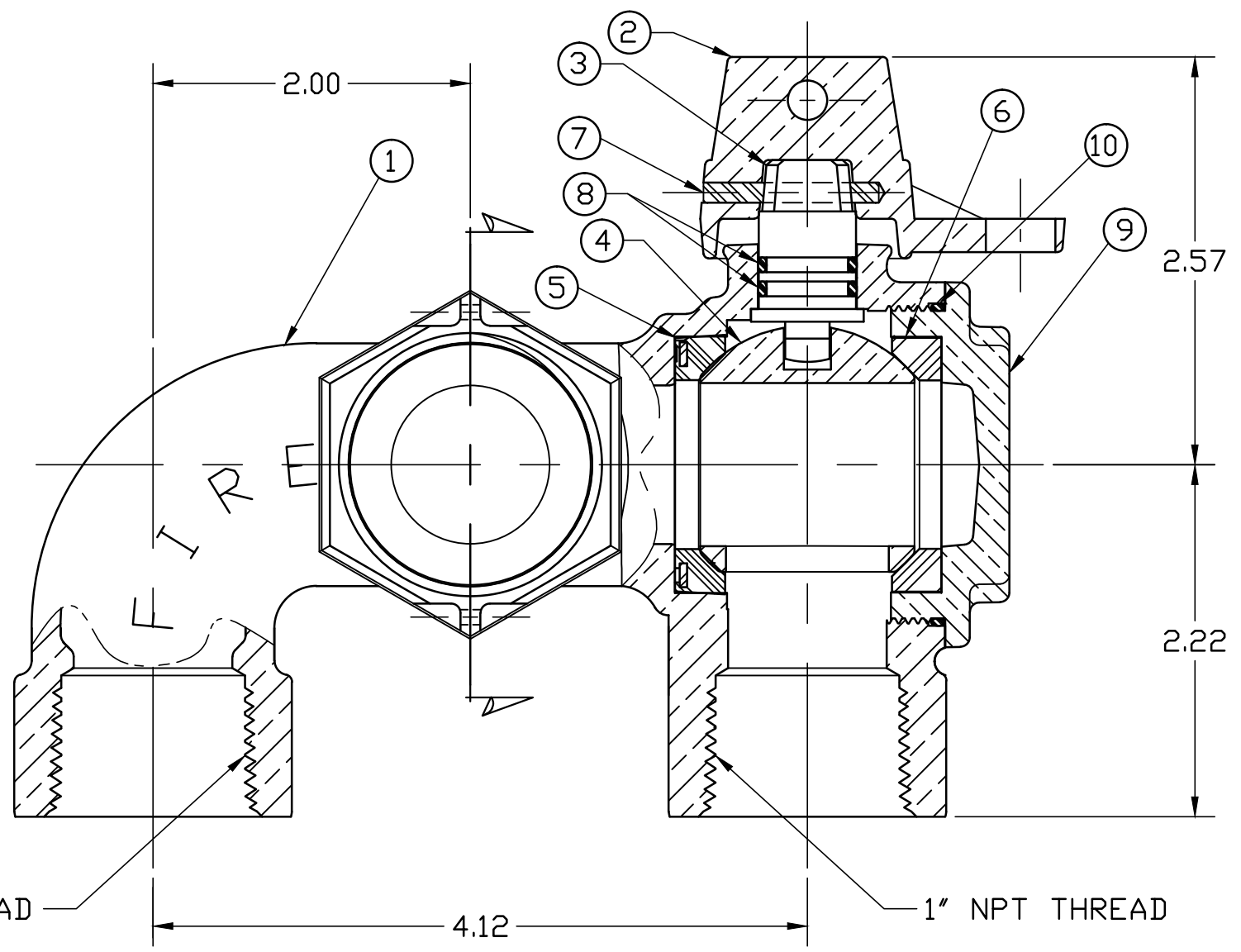


No.	DESCRIPTION	MATERIAL DESCRIPTION
1	BODY	CAST LOW LEAD BRASS ALLOY
2	CAP	CAST BRASS ASTM B62 ALLOY C83600
3	STEM	LOW LEAD BRASS ALLOY
4	BALL	LOW LEAD BRASS ALLOY
5	SEAT (RUBBER)	NITRILE ASTM D2000
6	SEAT (DELTRIN)	(WHITE) DELTRIN
7	SOLID PIN	AISI 303 STAINLESS STEEL
8	O-RING	EP ASTM D2000
9	END CAP	CAST LOW LEAD BRASS ALLOY
10	O-RING	EP ASTM D2000
11	1" LLB METER COUPLING	
11A	PLAIN NUT	CAST BRASS ASTM B62 ALLOY C83600
11B	TAILPIECE	LOW LEAD BRASS ALLOY
11C	RUBBER GSKT	NITRILE ASTM D2000



1" NPT THREAD

1" NPT THREAD

ALL WETTED PARTS ARE LOW LEAD BRASS ALLOY

FILEPATH: PRDD-ENG\JJ\SUBMITTALS\E2220

DRFTR	JGarvin	2/8/11	JONES		
CHKR					
ENGR					
MGR					
UNLESS OTHERWISE NOTED			THIRD ANGLE PROJECTION		
SURFACE PREPARATION:					
BREAK CORNER(S) ---- .000					
SURFACE FINISH -- XX RMS			REF. No.	SCALE	
TOLERANCE(S):				FULL	
LINEAR ----- ± .000					
ANGULAR ----- ± 0°00'					
STK No:					
MAT'L:					
DESCR:					
1" RESIDENTIAL LLB FIRE SERVICE VALVE			DWG NUMBER		
(METER SWIVEL NUT x FIP)			E2220		
REV	ECR	DESCRIPTION	DATE	BY	CHKR

DWG NUMBER
E2220
442-MRKTG

TITLE TO AND OWNERSHIP OF THIS ENGINEERING DATA REMAINS IN Mueller Co. NO USE IS TO BE MADE OF THIS DATA EXCEPT AS SPECIFICALLY AUTHORIZED BY Mueller Co. ASSENT ON THE PART OF THE RECIPIENT TO THESE CONDITIONS IS PRESUMED