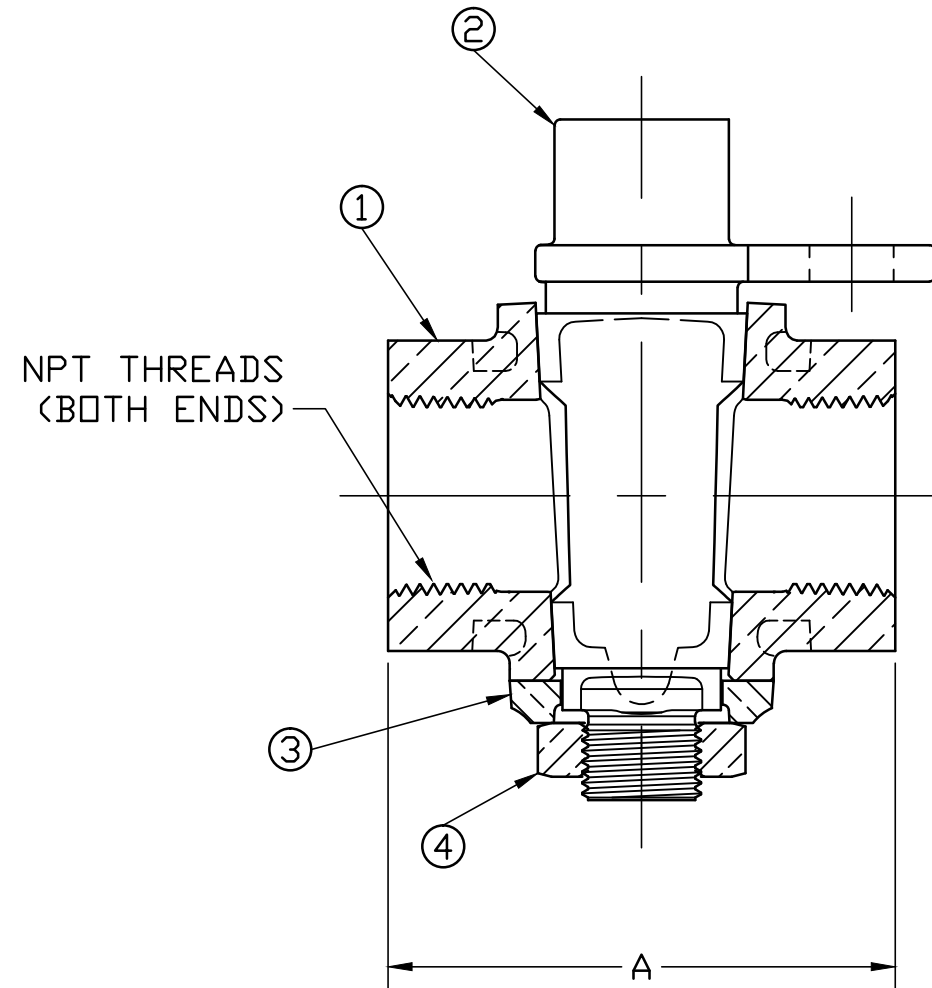


No.	DESCRIPTION	MATERIAL
1	BODY	CAST LOW LEAD BRASS ALLOY
2	KEY	CAST LOW LEAD BRASS ALLOY
3	KEY WASHER	CAST BRASS ASTM B62 ALLOY C83600
4	KEY NUT	CAST BRASS ASTM B62 ALLOY C83600



SIZE	A	NPT SIZE
3/4	2.64	3/4"
1	3.25	1"

ALL WETTED PARTS ARE LOW LEAD BRONZE ALLOY

FILEPATH: PROD-ENG\JJ\SUBMITTALS\E182

						DRFTR	JGarvin	3/5/10	<b>JONES</b>	UNLESS OTHERWISE NOTED THIRD ANGLE PROJECTION 			
						CHKR					SURFACE PREPARATION: BREAK CORNER(S) ---- .000 SURFACE FINISH -- XX RMS TOLERANCE(S): LINEAR ----- ± .000 ANGULAR ----- ± 0°00'		
						ENGR						REF. No.	SCALE FULL
						MGR							
							BY	DATE					
						STK No:							
						MAT'L:							
						DESCR.	GROUND KEY LLB VALVE (FIP x FIP)			DWG NUMBER E182			
REV	ECR	DESCRIPTION	DATE	BY	CHKR								

DWG NUMBER  
E182  
JJ-MRKTG

TITLE TO AND OWNERSHIP OF THIS ENGINEERING DATA REMAINS IN Mueller Co. NO USE IS TO BE MADE OF THIS DATA EXCEPT AS SPECIFICALLY AUTHORIZED BY Mueller Co. ASSENT ON THE PART OF THE RECIPIENT TO THESE CONDITIONS IS PRESUMED.